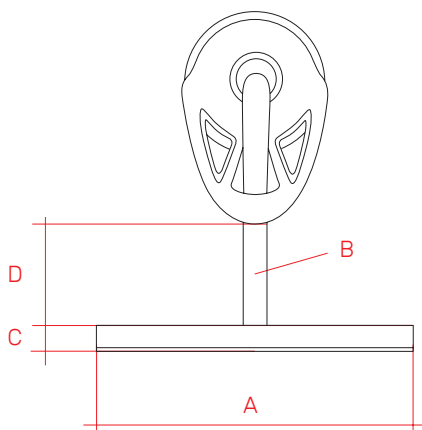


ROPEYE Stick-on Block

Ropeye Stick-On Block is designed as a line organizer without the need to drill holes for installation.



	A	B	C	D	Weight g	Max Breaking Load / kg	Safe Working Load / kg
Stick-on Block H18	40	3	2	25	12	200	100
Stick-on Block H18	40	3	2	50	13	200	100
Stick-on Block H18	40	3	2	75	14	200	100
Stick-on Block H29	50	4	4	25	25	300	150
Stick-on Block H29	50	4	4	50	26	300	150
Stick-on Block H29	50	4	4	75	27	300	150

INSTALLATION



Prepare the installation area by sanding the surface. Clean the sanded installation area with acetone to remove dust and grease. Apply Sikaflex 291i or other adhesive to the peel ply area of the product. Apply pressure to secure the product to the installation area. Wait 24 hours before putting any load on the product.

ATTENTION

- PRODUCTS MUST ALWAYS BE GLUED TO A CLEAN SURFACE
- IF YOU WANT AN OPTION TO REMOVE THE PRODUCT AFTERWARDS, USE SIKAFLEX OR OTHER FLEXIBLE GLUE
- FOR A PERMANENT BOND USE A RESIN BASED ADHESIVE
- DO NOT EXCEED SAFE WORKING LOAD

IF YOU NEED ANY HELP ON INSTALLATION SEND AN EMAIL TO: SALES@ROPEYE.COM

ROPEYE PRODUCTS HAVE A 2 YEAR WARRANTY



www.ropeye.com